



PERFORMANCE DATA SHEET

Meets or exceeds MEPS (Minimum Efficiency Performance Standards), as described by the US Department of Energy in docket 10CFR431 and Natural Resources Canada's Amendment 14

Catalogue #: MTR-102FDJH

| HP | kW | Voltage | Frequency | EFF. | P.F. | Frame | Design | F.L. RPM |
|----|------|-----------------|-----------|-------|-------|-------|--------|----------|
| 1 | 0,75 | 115 / 208 - 230 | 60Hz | 77,9% | 0,996 | 56J | B | 3520 |

| FLA | | | Service Factor | N.L. Amps @ 115V | N.L. Amps @ 230V | KVA Code | L.R. Amps @ 15v | L.R. Amps @ 230v |
|------|------|------|----------------|------------------|------------------|----------|-----------------|------------------|
| 115 | 208 | 230 | | | | | | |
| 8,61 | 4,76 | 4,31 | 1,15 | 1,90 | 0,95 | J | 64 | 32 |

| Start Cap. | Run Cap. | Main Winding Ω 115V @ 25°C | Main Winding Ω 230V @ 25°C | Auxillary Winding Ω @ 25°C | Safe Cold Start (Secs) |
|--------------------|-------------------|-----------------------------------|-----------------------------------|-----------------------------------|------------------------|
| 200 μ f/300vac | 50 μ f/450vac | 0,4700 | 1,890 | 1,860 | 12 |

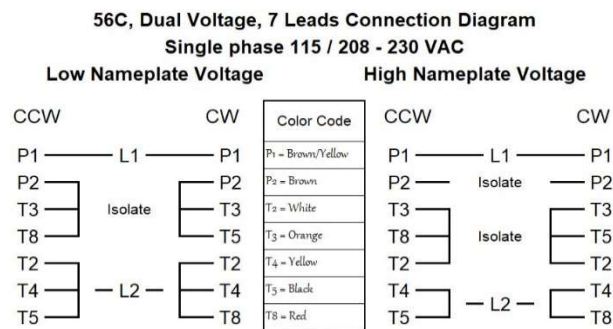
| Wgt. Lbs | PH | Duty | Insul. Class | Amb. | Elevation | Temp. Rise° C |
|----------|----|-------|--------------|------|------------------|---------------|
| 30 | 1 | Cont. | F | 40°C | 1000M (3,300 Ft) | 56 |

| % Efficiency | | Power Factor | | Torque | | Protection |
|--------------|-------|--------------|------|------------------|-----|------------|
| Full Load: | 77,9% | Full Load: | 1,00 | Full Load Ft/Lbs | 1,5 | |
| 3/4 Load: | 69,1% | 3/4 Load: | 0,97 | Locked Rotor % | 304 | |
| 1/2 Load: | 51,1% | 1/2 Load: | 0,94 | Break Down % | 314 | |

| Rotor Inertia Wk2 Lb-Ft2 | Max Load Inertia Wk2 Lb-Ft2 | Shaft Material | Frame Material | DE Bracket Type | ODE Bracket Type | Enclosure | NEMA Rating | Lead Wire Size |
|--------------------------|-----------------------------|----------------|----------------|-----------------|------------------|-----------|-------------|----------------|
| / | / | 304SS | Rolled Steel | Aluminium Alloy | | TEFC | IP55 | / |

| Ball Bearings | | Grease | Mount Type | Orientation | Paint | Sound Pressure @ 3FT | Sound Power |
|---------------|------|-----------------|------------|-------------|-------|----------------------|-------------|
| DE | ODE | | | | | | |
| 6205 | 6203 | Sealed Bearings | Rigid | Horizontal | Black | 70 | / |

WIRING CONNECTION DIAGRAM : B



* Reverse rotation by inverting T5 & T8 connection leads.



Date: 2023-12-22
 Customer: _____
 Contact: _____
 Submittee: J.C. Lavallée

Catalogue #: **MTR-102FDJH**

Meets or exceeds MEPS (Minimum Efficiency Performance Standards), as described by the US Department of Energy in docket 10CFR431 and Natural Resources Canada's Amendment 14

| HP | VAC | RPM | Enclosure | Frame | Frequency | Design | Poles | LR Code Letter | Insulation Class | Temp. Rise °C |
|----|-----|------|-----------|-------|-----------|--------|-------|----------------|------------------|---------------|
| 1 | 230 | 3520 | TEFC | 56J | 60 | B | 2 | J | F | 56 |

| | 0% | 25% | 50% | 75% | 100% | 125% | 150% |
|-------------|------|-------|-------|-------|-------|-------|-------|
| Load % | 0% | 25% | 50% | 75% | 100% | 125% | 150% |
| Amps | 3,06 | 3,28 | 3,50 | 3,79 | 4,31 | 5,39 | 6,47 |
| Torq ft/lbs | 0 | 0,37 | 0,74 | 1,11 | 1,49 | 1,88 | 2,26 |
| RPM | 0 | 3580 | 3560 | 3540 | 3520 | 3500 | 3480 |
| Eff | 0 | 27,51 | 49,14 | 66,39 | 77,90 | 77,10 | 79,53 |
| PF | 0,00 | 90,00 | 94,42 | 96,61 | 99,60 | 97,61 | 94,62 |

| | Locked Rotor | Pull-Up | Breakdown | Rated Load | Idle | Duty | S. F. | Ambient | Elevation | dBa @ 1M |
|-----------------|--------------|---------|-----------|------------|--------|--------------------------------------|-------|---------|-----------|----------|
| Speed (RPM) | 0 | 1800 | 2880 | 3520 | 3600 | Continuous | 1,15 | 40°C | 3,300 ft | 70 |
| Current (Amps) | 32 | 27,2 | 19,0 | 4,31 | 3,0601 | VFD Rating: Meets MG1 parts 31.4.4.2 | | | | |
| Torque (ft-lbs) | 4,54 | 3,86 | 4,69 | 1,49 | 0,0 | C.T. | 1,89 | V.T. | 1,86 | |

